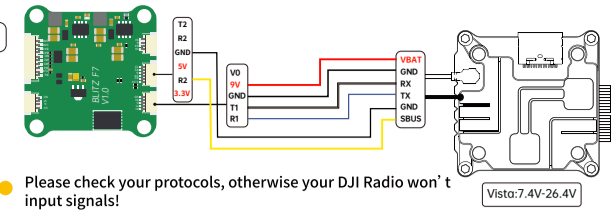
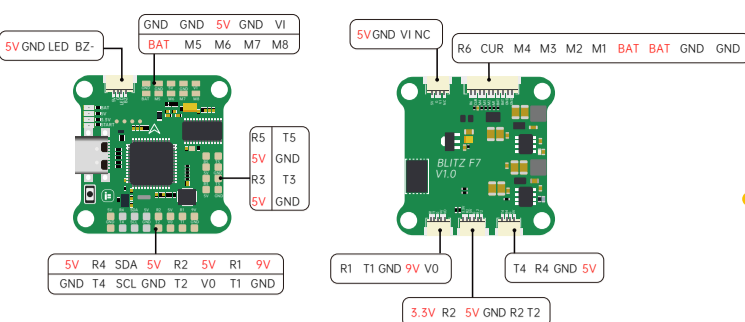
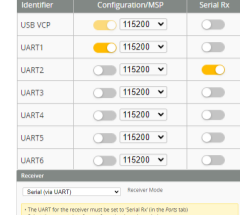


# iFlight BLITZ F7 Wiring Diagram

## DJI Digital VTX + Radio



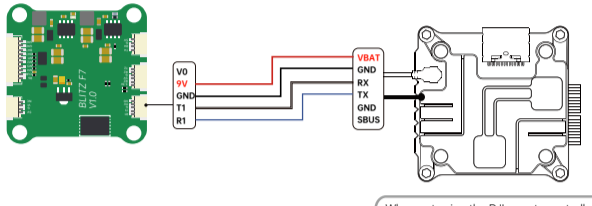
• Please check your protocols, otherwise your DJI Radio won't input signals!  
 DJI Goggle protocol and Betaflight protocol has to match!  
 For lower signal latency use the SBus\_BAUD\_FAST protocol option on both ends.  
 For Betaflight Copy/Paste "set sbus\_baud\_fast=on" into your Betaflight Configurator CLI then hit enter.  
 Use "save" and hit enter to save the changes.  
 Default: sbus\_baud\_fast=off, Goggle protocol set to NORMAL



• The DJI Plug&Play connector has a VBAT pin that will handle voltage up to 4S! To fly up to 6S batteries, please connect the 9V (Built-in BEC).

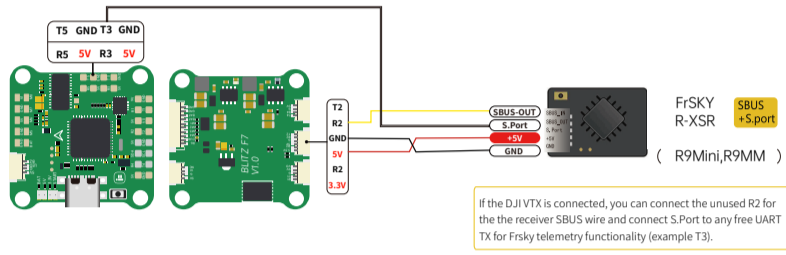
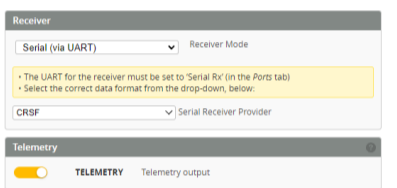
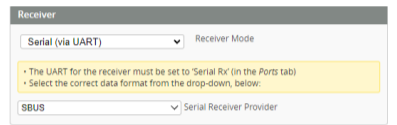
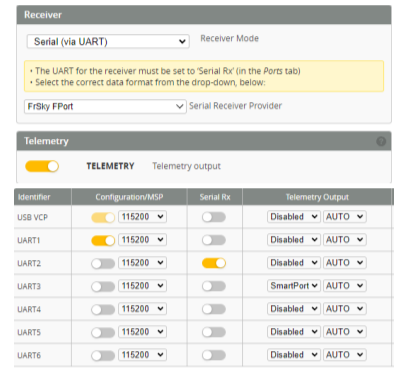
• For DJI O3 Air Unit, In to the Betaflight Configurator Cli, Set osd device to MSP : "set osd\_displayport\_device = MSP" Specify the serial port of msp as 0 (the number in this place should be the serial port number minus 1): "set displayport\_msp\_serial = 0" then type "save" and exit

## Various Receivers

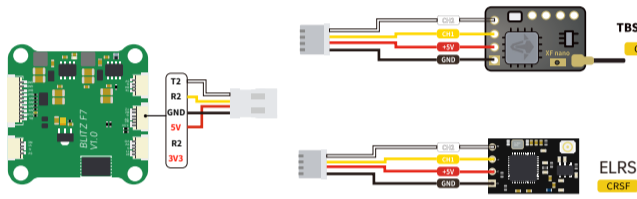
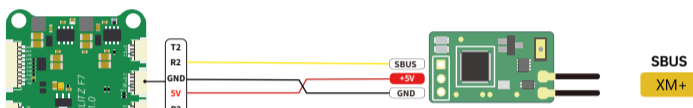


When not using the DJI remote controller, don't connect the SBus and GND.

Identifier	Configuration/MSP	Serial Rx
USB VCP	115200	Off
UART1	115200	Off
UART2	115200	On
UART3	115200	Off
UART4	115200	Off
UART5	115200	Off
UART6	115200	Off



If the DJI VTX is connected, you can connect the unused R2 for the receiver SBus wire and connect S.Port to any free UART TX for Frsky telemetry functionality (example T3).

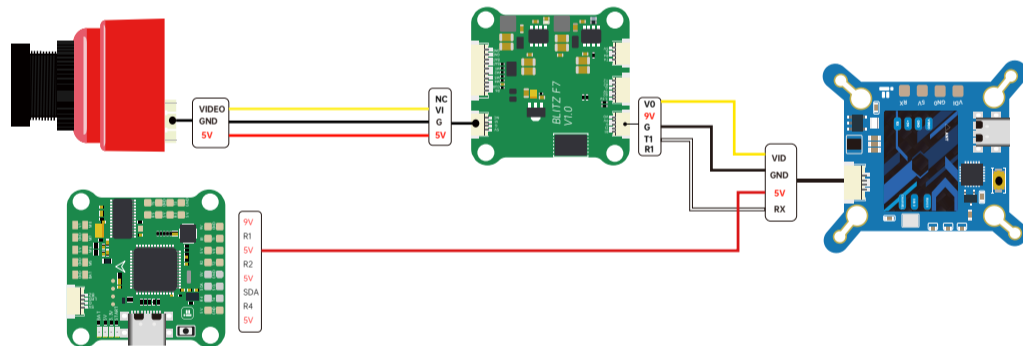


## VTX/CAM

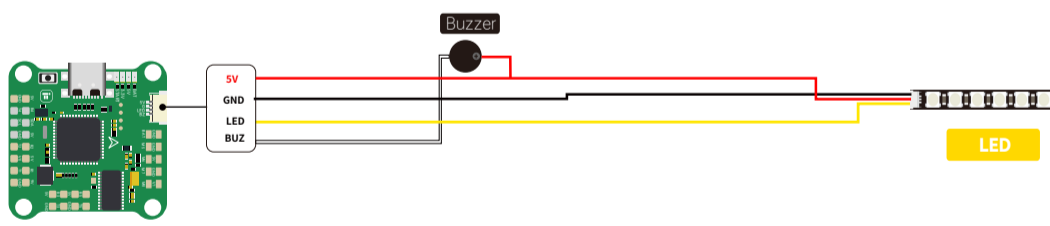
Identifier	Configuration/MSP	Serial Rx	Telemetry Output	Sensor Input	Peripherals
USB VCP	115200	Off	Disabled	Disabled	VTX (RC Trans)
UART1	115200	Off	Disabled	Disabled	Disabled
UART2	115200	On	Disabled	Disabled	Disabled
UART3	115200	Off	Disabled	Disabled	Disabled
UART4	115200	Off	Disabled	GPS	Disabled
UART5	115200	Off	Disabled	ESC	Disabled
UART6	115200	Off	Disabled	Disabled	Disabled



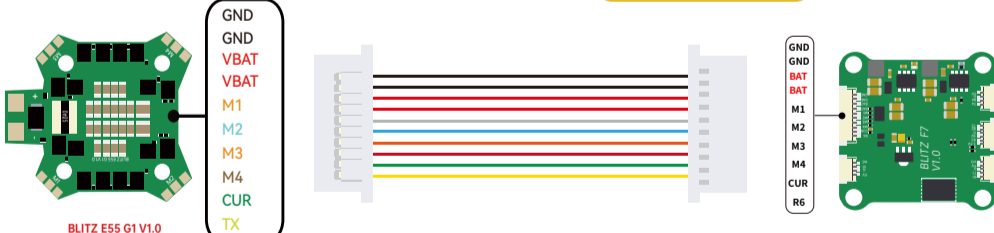
### CAMERA



## LED/Buzzer

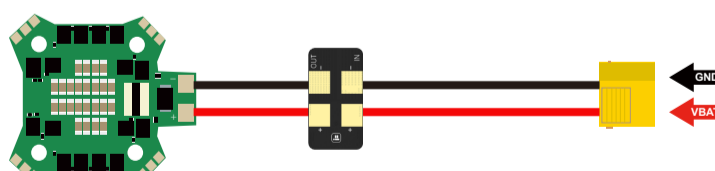


## Esc



Note: If not using iFlight electronics, please make sure the plug pinout is identical or the wire harness needs to be reordered.

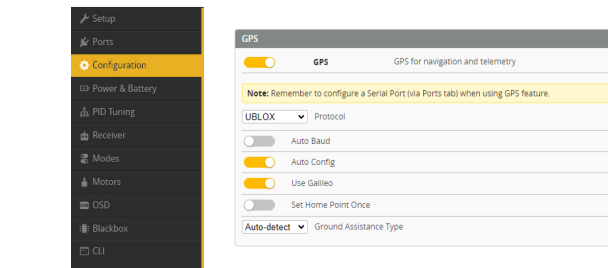
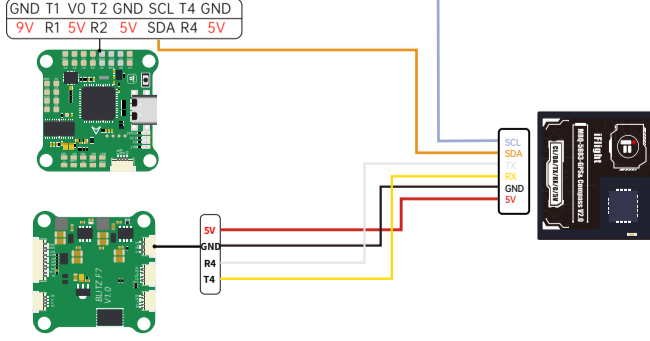
## Anti-Spark filter



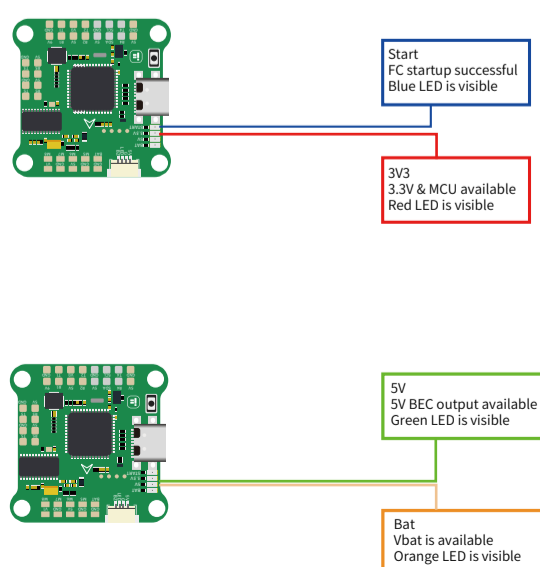
## GPS

Identifier	Configuration/MSP	Serial Rx	Telemetry Output	Sensor Input	Peripherals
USB VCP	115200	Off	Disabled	Disabled	Disabled
UART1	115200	Off	Disabled	Disabled	Disabled
UART2	115200	Off	Disabled	Disabled	Disabled
UART3	115200	Off	Disabled	GPS	Disabled
UART4	115200	Off	Disabled	Disabled	Disabled
UART5	115200	Off	Disabled	Disabled	Disabled
UART6	115200	Off	Disabled	Disabled	Disabled

SDA/SCL pads cannot be remapped to UARTs



## Status indicator



Note: Each LED indicates the status of your flight controller.